



ProteusCPRI Portable

Quickly Identify, Quantify and Improve RF Performance



ProteusCPRI™ Portable is ISCO's RF conditioning server packaged in a rugged enclosure for quick and easy deployment as needed, where needed. The ProteusCPRI server can be easily integrated at sites where spectral conditions need to be analyzed and when cancellation of PIM or mitigation of interference are needed to restore network performance and capacity. Designed for quick set-up, all the connections to the conditioning server are easily accessible from the front. A wireless modem for remote access and all required cables and fibers are included as part of the portable package. ProteusCPRI Portable integrates on the CPRI link between the radio and baseband unit.

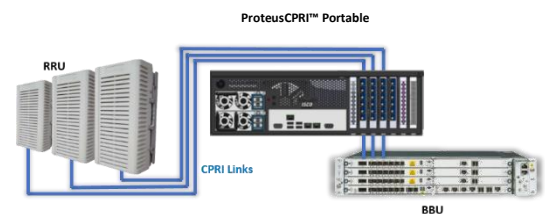
ProteusCPRI™ Portable Features:

- Real-time view of spectrum and analysis of spectral conditions with ISCO's Spectrum Monitor™ and SpectrumInsight ProTools™ analysis tools
- Actively cancel wideband (PIM) and narrowband interference with ISCO's conditioning network functions: PurePass® and c-ONE PIM Canceler®
- Server protected in a rugged wheeled case with extendable handle
- A single three sector card, software, modem, cables and cords are included
- 3U compact platform to cover multiple bands in a 3-sector site, DAS or C-RAN hub
- Support for 2x2 and 4x4 MIMO
- Any LTE carriers in any frequency band
- Supports CPRI rates 1-8
- All interfaces located on the front of the unit
- Supports both AC and -48 VDC operation
- IP connection for remote access and SNMP management
- Remote access enables manageability and spectral visibility even when the user is away from the cell site (modem included, customer provides SIM)
- Supports Ericsson, Nokia and Nokia-Samsung CPRI interfaces

ProteusCPRI™ Portable Benefits:

- Quickly improve network performance in environments impacted by PIM and interference **Easy to integrate and quickly identify interference and intermod PIM. Automatically mitigates interference and cancels intermod PIM while allowing troubleshooting of the source.**
- Maintain quality of customer experience during interference hunting and PIM mitigation efforts **Improved spectral efficiency maximizes capacity available for users and drives higher throughput.**
- Instant visibility of spectrum and interference **View spectral conditions and interference mitigation activity; access from anywhere for status and analysis.**

ProteusCPRI™ Portable Integration Diagram



ProteusCPRI™ Portable provides a solution to improve network capacity, performance and visibility in a protective and convenient case that can be moved from site to site or sector to sector

Technical Information and Specifications

ProteusCPRI™ Portable

Adaptive Interference Mitigation

Adaptation Time	< 1 ms (typical)
Bandwidth	20MHz Antenna Carriers. Note: currently up to 10MHz for c-ONE PIM Canceler®; future expansion to 20MHz is planned.
AIM Interference Rejection	> 40 dB (CW), > 20 dB (typical)

Environmental

Operating Temperature Range	0° to + 55° C
Relative Humidity	5-95% RH (non-condensing)

Mechanical

Unit Alone, 3U	17.125" W x 12" D x 5.25" H
Hard Case, closed	23.5" W x 19" D x 11.5" H
Soft Case, closed	20" W x 17.25" D x 5" H
Unit Alone	17.6 lbs.
Hard Case with Unit	37 lbs.
Soft Case with Kit Material	15 lbs.

Optical Connectors	Two SFP network ports per CPRI Interface Card supporting a variety of SFPs and interface cables to match specific equipment and integrations
--------------------	--

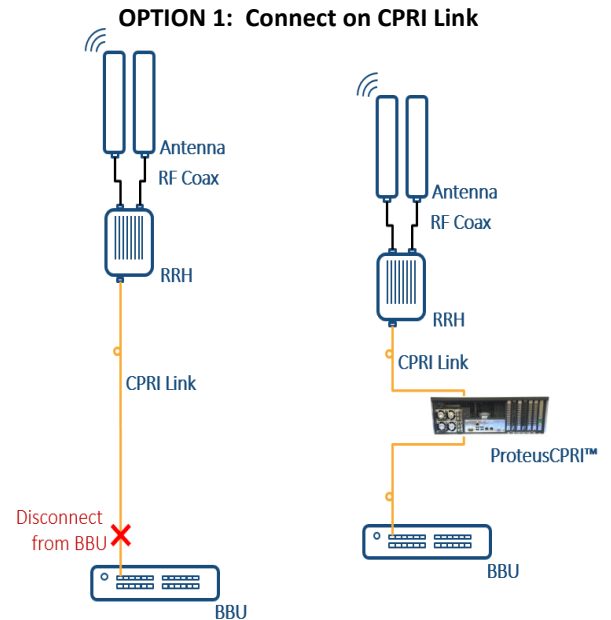
Electrical

AC Power Supply	700W 110/220V AC input
DC Power Supply	-48 VDC (-36 VDC to -72 VDC)
Power Consumption	5 A typical, 10 A maximum @ -48V
Interfaces	Ethernet, Dry Contact Alarm

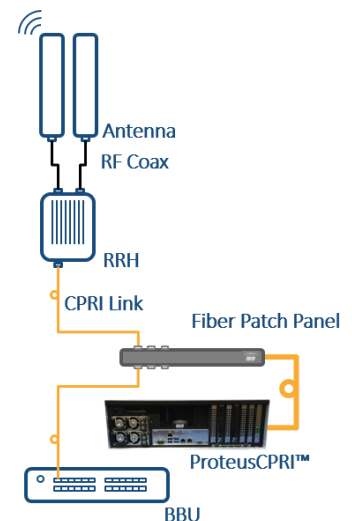
Miscellaneous

OEM Protocols Supported	Nokia, Ericsson, Nokia-Samsung
-------------------------	--------------------------------

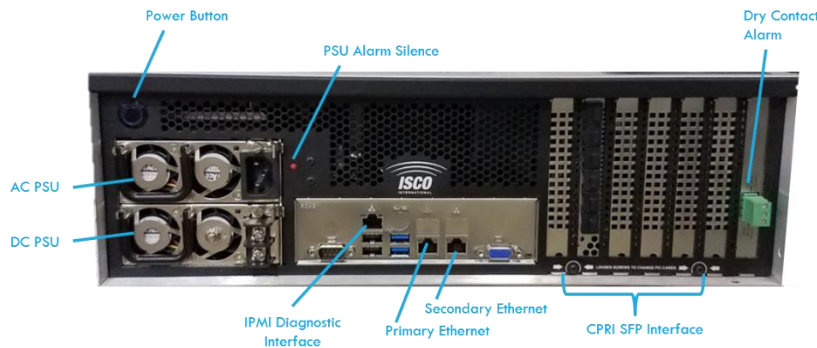
ProteusCPRI™ Portable Integration Options



OPTION 2: Quick Connect to Fiber Patch Panel



ProteusCPRI™ Portable Front System Interfaces



ISO 9001:2015 Registered